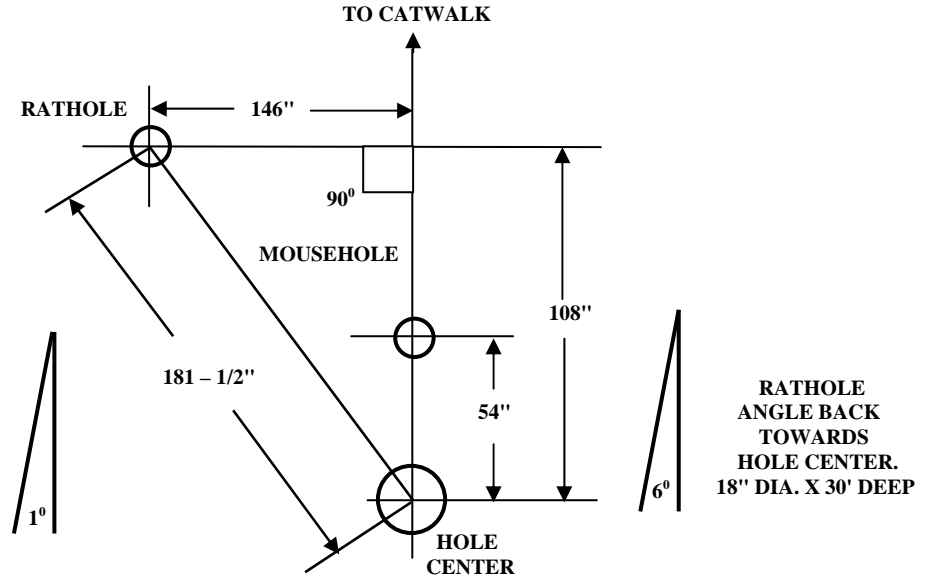




RIG #2 LAYOUT

RATHOLE/MOUSEHOLE DIMENSIONS

MOUSEHOLE
ANGLE BACK
TOWARDS
HOLE CENTER.
18" DIA. X 20' DEEP



RATHOLE
ANGLE BACK
TOWARDS
HOLE CENTER.
18" DIA. X 30' DEEP

EDGE OF SUMP STARTS 10' FROM SIDE OF PIT (INCLUDES ROOM FOR MUD CLEANING EQUIPMENT)

TYPICAL RIG LAYOUT

