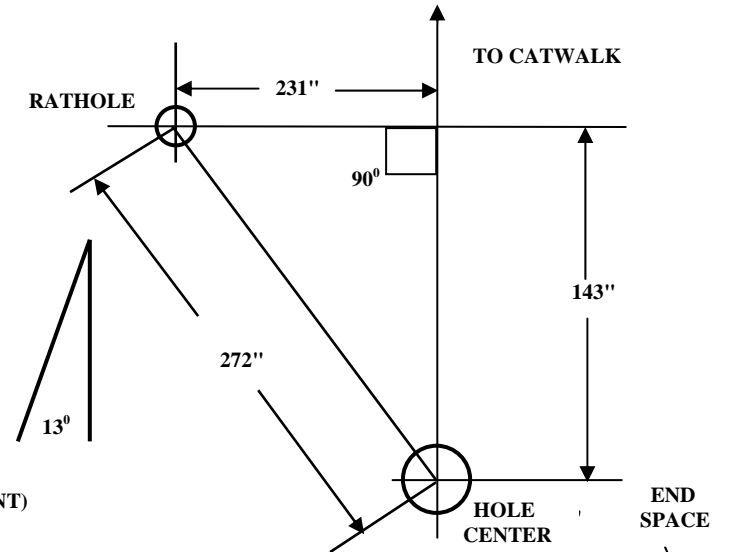




# RIG #7 LAYOUT

## RATHOLE DIMENSIONS

RATHOLE  
ANGLE BACK  
TOWARDS  
HOLE CENTER.  
16" DIA. X 15' DEEP



EDGE OF SUMP STARTS 10' FROM SIDE OF PIT  
(INCLUDES ROOM FOR MUD CLEANING EQUIPMENT)

